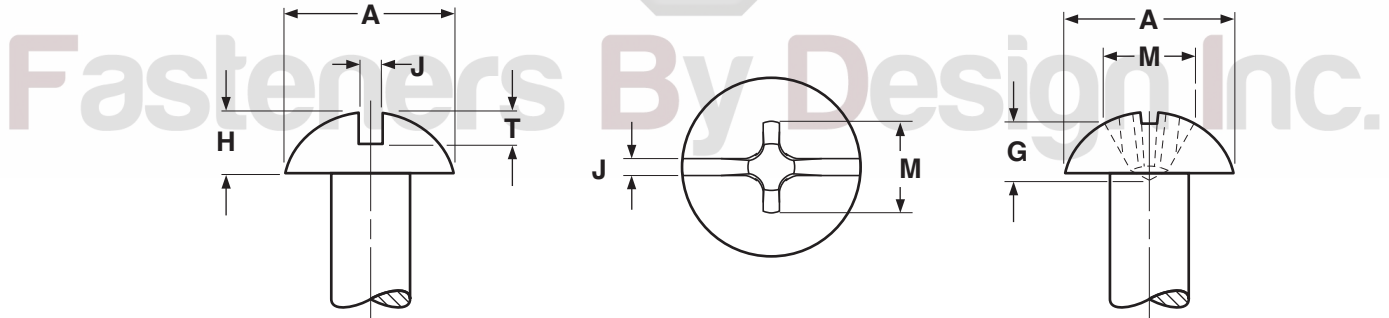
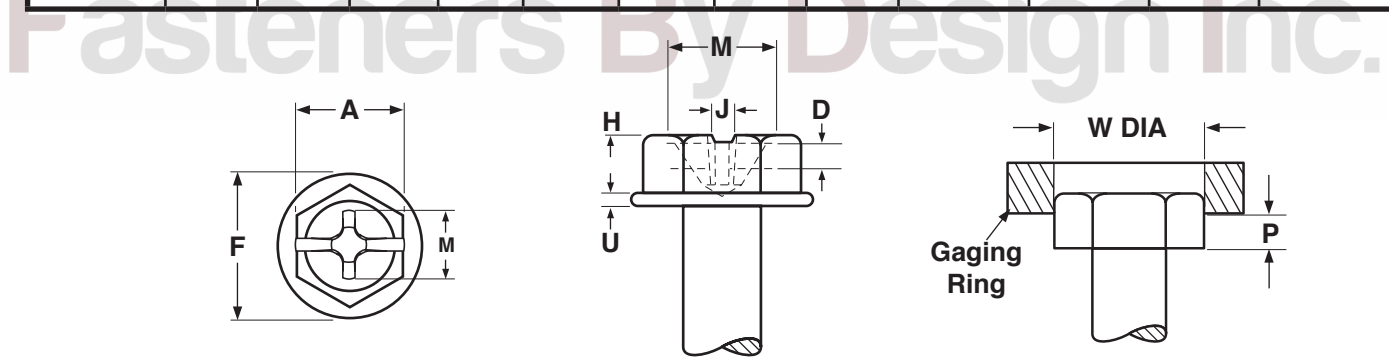


Combo Round & Combo Hex Washer **HEAD DIMENSIONS**



COMBINATION ROUND HEADS												ASME B18.6.3- 2013	
Nominal Size	A		H		J		T		M	Recess Penetration Gaging Depth		Phillips Driver Size	
	Head Diameter		Head Height		Slot Width		Slot Depth		Recess Diameter	Max	Min		
	Max	Min	Max	Min	Max	Min	Max	Min	Ref				
6	.260	.240	.103	.091	.048	.039	.068	.051	.155	.073	.045	2	
8	.309	.287	.120	.107	.054	.045	.077	.058	.171	.090	.064	2	
10	.359	.334	.137	.123	.060	.050	.087	.065	.188	.108	.082	2	
1/4	.472	.443	.175	.160	.075	.064	.109	.082	.261	.130	.104	3	
5/16	.590	.557	.216	.198	.084	.072	.132	.099	.301	.170	.144	3	
3/8	.708	.670	.256	.237	.094	.081	.155	.117	.380	.208	.182	4	



COMBINATION HEX WASHER HEADS																	ASME B18.6.3- 2013	
Nom Size	A		H		F		U		J		D		P	M	Recess Penetrating Gaging Depth		Phillips Driver Size	
	Width Across Flats		Head Height		Washer Diameter		Washer Thickness		Slot Width		Slot Depth		Protrusion Beyond Gaging Ring	Recess Diameter	Max	Min		
	Max	Min	Max	Min	Max	Min	Max	Min	Max	Min	Max	Min	Min	Ref				
6	.250	.244	.093	.080	.328	.302	.025	.015	.048	.039	.053	.033	.048	.148	.089	.064	2	
8	.250	.244	.110	.096	.348	.322	.031	.019	.054	.045	.074	.052	.058	.168	.115	.090	2	
10	.312	.305	.120	.105	.414	.384	.031	.019	.060	.050	.080	.057	.063	.178	.127	.102	2	
12	.312	.305	.155	.139	.432	.398	.039	.022	.067	.056	.103	.077	.083	.247	.152	.127	3	
1/4	.375	.367	.190	.172	.520	.480	.050	.030	.075	.064	.111	.083	.103	.277	.186	.161	3	