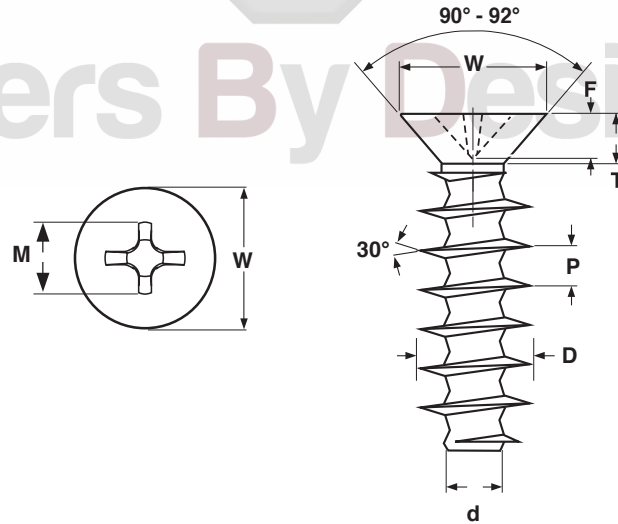


Type-PT® Alternative Flat Phillips **THREAD FORMING SCREWS**

Fasteners By Design Inc.



METRIC - TYPE PT®-ALTERNATIVE THREAD FORMING SCREWS, FLAT PHILLIPS											
Screw Size	P	D		d	W		T	M	F		Drive Size
	Thread Dimensions				Head Dimensions			Recess Dimensions			
	Thread Pitch	External Thread Diam.		Thread Core	Diameter		Height	Diameter	Gauge Penetration		
	Ref	Max	Min	Ref	Max	Min	Ref	Max	Max	Min	
M1.6	0.67	1.74	1.60	0.95	3.00	2.60	-	-	0.91	0.66	0
M2.0	0.89	2.14	2.00	1.15	3.80	3.53	1.20	1.80	1.08	0.85	0
M2.2	0.98	2.34	2.20	1.25	3.80	3.53	1.30	2.40	1.25	0.95	1
M2.5	1.12	2.64	2.50	1.40	4.70	4.43	1.70	2.60	1.43	1.04	1
M3	1.34	3.14	3.00	1.66	5.50	5.23	1.80	2.70	1.56	1.17	1
M3.5	1.57	3.68	3.50	1.91	7.30	6.97	2.50	3.90	1.96	1.40	2
M4	1.79	4.18	4.00	2.17	8.40	8.07	2.90	4.20	2.22	1.66	2
M5	2.24	5.18	5.00	2.68	9.30	8.97	3.40	4.60	2.67	2.04	2

Tolerance on Length	Nom Diam	Nominal Lengths & Tolerances	
	M1.6	3 ~ 6mm: ± 0.375 mm	6 ~ 10mm: ± 0.45 mm
	M2.2 & larger	3 ~ 6mm: ± 0.30 mm	7 ~ 10mm: ± 0.40 mm
		11 ~ 30mm: ± 0.50 mm	31 ~ 80mm: ±0.65 mm

Description	A spaced thread fastener with a countersunk head, having a flat top surface and a cone-shaped bearing surface with a head angle of approximately 90°. When compared to a Plastite®-alternative thread rolling screw, the PT®-alternative threads are wider and have a sharper angle. Furthermore, the core of the shank has a reduced diameter between each consecutive set of threads. The point opposite the head is blunt.	
Applications/ Advantages	Designed to form its own thread in thermoplastic materials. The 30° thread angle reduces the outward expansion of the material being displaced. The recessed design of the thread root enables more material to flow into the area between threads. The depth of the thread pattern increases the fastener's load carrying properties while resisting vibrations, thus resisting loosening.	
Material	Steel Diameters M3 & smaller: Case-Hardened C1022 Steel Diameters M3.5 and larger: Through-hardened C1022 Steel	Stainless A2 Stainless Steel
Core Hardness	HV 270 - 390	-
Surface Hardness	HV 450 min.	-

Type PT® is a registered trademark of EJOT Verbindungstechnik GmbH & Co. KG.