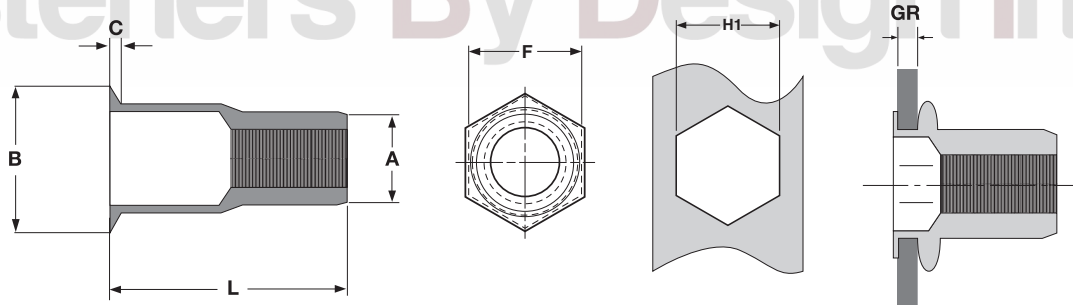


Thin Head
Hex Body

RIVET NUTS (Blind Threaded Inserts)

Fasteners By Design Inc.



| THIN HEAD, HEX BODY BLIND THREADED INSERT | | | | | | | | | |
|---|------------|-------------|-------|---------------|------|--------------------------------|-------------|---------------|------|
| Thread Size | GR | L | | A | | B | C | Hex Hole Size | |
| | Grip Range | Body Length | | Body Diameter | | Head Diameter Across the Flats | Head Height | Max | Min |
| | | Max | Min | Max | Min | Max | Nom | Max | Min |
| M4 x 0.7 ISO | 2.0 - 3.3 | 11.55 | 10.55 | 6.43 | 6.27 | 9.53 | 0.68 | 6.45 | 6.35 |
| M6 x 1.0 ISO | 0.7 - 4.2 | 15.36 | 14.36 | 9.58 | 9.42 | 12.96 | 0.76 | 9.63 | 9.53 |

| | |
|----------------------------------|---|
| Description | An internally threaded fastener with a low-profile round flange at the part's "head", a hex-shaped body immediately below the head, and a cylindrical body that tapers slightly towards the opposite end. The head has a thinner profile and smaller diameter than the large flange variety. The fastener is open at both ends. Insert is threaded onto mandrel of installation tool and positioned into hole. As mandrel is pulled back, the insert is expanded into the base material it is now gripping. Installation is complete when the mandrel of the tool is removed from the set insert. |
| Applications / Advantages | When installed into a proper-size hex hole, this insert provides superior resistance to spinning. The thin head design enables the fastener to have a flush fit once seated in place. Used in electrical engineering, automotive, home appliances and other light-duty applications. |
| Material | Steel: 1108 or 1110 Steel |

Fasteners By Design Inc.