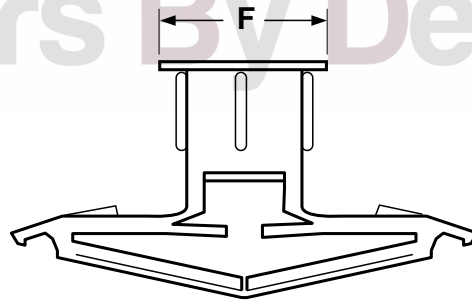


Fasteners By Design Inc.



PLASTIC TOGGLE ANCHORS											FF-S-325 Group V, Type 2, Class 4	
Part Number	Size	Wall Thickness	Drill Diameter	Screw Diameter Range	Minimum Screw Length	F		Minimum Embedment	Performance in Wallboard		Performance in Cinder Block	
						Flange Diameter			Tensile	Shear	Tensile	Shear
284835	Extra Short	1/8	5/16	#6 - #12	1	29/64		5/8	120	100	-	-
284873	Short	3/8	5/16	#6 - #12	1 1/4	1/2		1 1/8	135	165	240	220
284888	Medium	1/2	5/16	#6 - #12	1 1/4	1/2		1 1/4	150	220	280	230
284891	Long	5/8	5/16	#6 - #12	1 1/2	1/2		1 3/8	170	250	350	230
284909	Extra Long	3/4	5/16	#6 - #12	1 3/4	1/2		1 1/2	180	250	400	240
284918	XX-Long	1	5/16	#6 - #12	2	1/2		1 3/4	220	250	450	250

<b>Description</b>	A one-piece, plastic anchor with a cylindrical body and four legs. The hole through the center of the body has ribs on the outside to hold the anchor in place during installation.
<b>Applications/ Advantages</b>	When a tapping screw is driven into the toggle, the legs collapse which forms a tongue. As the screw is driven through the body, it pulls in and expands the legs. Plastic toggles are intended for lightweight duty in hollow walls (wallboard or plaster), ie. drapery rods, junction boxes, soap dishes, towel bars, etc.. The anchor remains in place even after the screw is removed.
<b>Material</b>	Engineered Plastic
<b>Anchor Spacing</b>	Anchors should be spaced 18-24 inches center to center (spacing can be closer in high-density material).
<b>Tensile and Shear Strengths</b>	The suggested safe working load is one-fourth the average maximum proof test loads listed in the above table.

Fasteners By Design Inc.